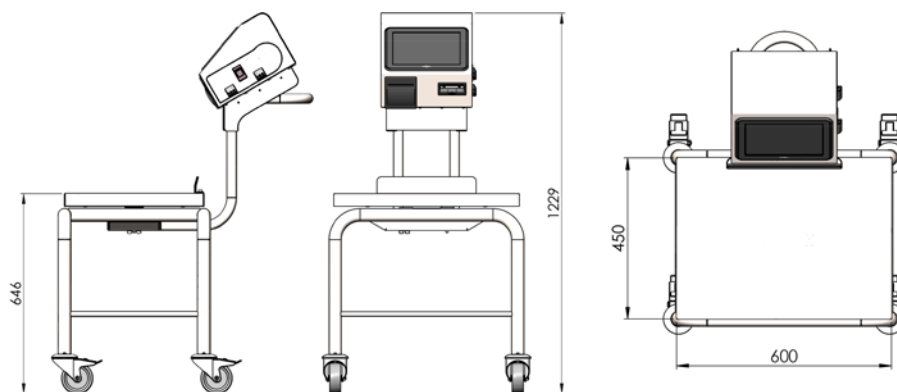


COMPLETE SCALE METQ BM500 ETQ

MONOCELL PLATFORM W/ SUPPORT STRUCTURE
+ VIEWER BM500 ETQ



Manufactured in Europe

SOFTWARE

ETPOS[®]
www.sdilab.pt

GROUP

GRUPO
JOSÉ PIMENTA MARQUES 

www.grupojpm.pt

MONOCELL PLATFORM W/ SUPPORT STRUCTURE + VIEWER BM500 ETQ

COMPLETE SCALE METQ BM500 ETQ

CHARACTERISTICS

VIEWER BM500 ETQ

- Stainless steel construction.
- Freescale i.MX6 2x1GHz processor (Dual Cortex™-A9 MPCore™).
- Flash Disk 8GB eMMC.
- Memory RAM 1GB DDR3.
- Internal Power Supply.
- 1 Cell Input.
- 1 ethernet 10/100Mbps port.
- Equipped with a weight plate, with the possibility of exchange without interfering with the other components.

MODEL 10"

- 10" touch screen with Projected Capacitive technology.
- 58mm thermal ticket printer with drop off paper refill.
- 2" Labeler.
- 1 USB port.

MODEL 15"

- 15" touch screen with Projected Capacitive technology.
- 2nd 10" LCD monitor (for customer).
- 80mm thermal ticket printer with drop off paper refill.
- 2" Linerless Labeler, 100mts roll.
- 2 USB ports.
- 1 RS 232 port.
- Connection to cash drawer.

PLATFORM M60x45

- Platforms obtained by mounting the load cell between two rigid tubular structures.
- Fully Stainless Steel AISI 304 with grinding.
- Electropolishing finish, ensuring effective protection against corrosion in harsh environments.
- Static overload limiter on load cell.
- Four limiters, in the corners of the platform, which allow to withstand overloads exceeding the maximum capacity.
- Load cell with IP 67 protection and CE approval certificate.

MODEL	DIMENSIONS PLATFORM (cm)	CAPACITY (kg)	DIVISION (g)	TOTAL FINISH INOX REFERENCE
METQ BM500 ETQ 10"	60 x 45	30/60	10/20	20226076074E
		60/150	20/50	20226076274E
30/60		10/20	20226086074E	
60/150		20/50	20226086274E	

OPTIONS

Upgrade ETPOS Pro	5D0113
ETPOS - Labeling Module	5D2301
ETVIS	ETVIS
QORE	21209000000A
BMGEST	21207090000A
Wifi (only 15" model)	20741050000A
RFID Card Reader (only 15" model)	20738050000A
422 Interface for Digital Cells	20709040000A



www.balancasmarques.com
facebook.com/balancasmarques

HEAD OFFICE

Edifício Balanças Marques
Parque Industrial de Ceilirós, 2ª Fase
Apart. 2376
4701-905 Braga - PORTUGAL

LISBON SUPPORT CENTER

Rua Actriz Adelina Fernandes 15A Dto.
2795-005 Linda-a-Velha
Lisboa - PORTUGAL

T +351 253 309 830
F +351 253 672 882
email internacional@balancasmarques.pt